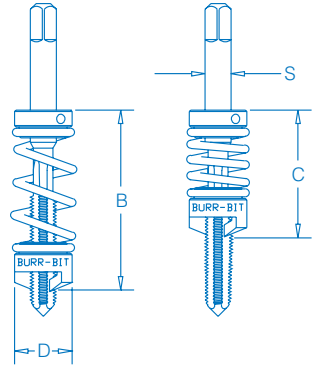


# ISO BURR-BIT®



## Burr-Bits for European, DIN 371 and DIN 376 taps.

- Provided with straight spring and collar. These models are specifically designed to fit DIN 371 and DIN 376 standard taps.
- Straight spring and collar combination bridges the gap over the reduced section of these taps.
- Shank diameter of these models differ from American ANSI standards and Japanese JIS standards.

### METRIC, ISO STANDARD (DIN 371 AND DIN 376) BURR-BIT FOR TWO & FOUR FLUTE TAPS

Tap Size	B (mm)	C (mm)	D (mm)	DIN 371		DIN 376	
				S (mm)	PART#	S (mm)	PART#
M3-2FL	30.5	20.0	9.5	3.5	030304	2.2	030305
M4-2FL	30.5	20.0	9.5	4.5	030404	2.8	030405
M5-2FL	33.0	21.0	9.5	6.0	030504	3.5	030505
M6-2FL	39.5	25.5	13.0	6.0	030604	4.5	030605
M8-2FL	41.0	27.0	14.5	8.0	030804	6.0	030805
M10-2FL	43.0	25.0	16.6	10.0	031004	7.0	031005
M12-2FL	48.0	29.0	20.6	12.0	031204	9.0	031205
M14-2FL	50.5	32.0	25.4	—	—	11.0	031405
M16-2FL	50.5	32.0	25.4	—	—	12.0	031605
M18-2FL	55.5	32.0	28.5	—	—	14.0	031805
M20-2FL	55.5	32.0	28.5	—	—	16.0	032005

### METRIC, ISO STANDARD (DIN 371 AND DIN 376) BURR-BIT FOR THREE FLUTE TAPS

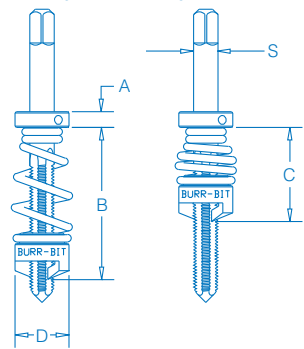
Tap Size	B (mm)	C (mm)	D (mm)	DIN 371		DIN 376	
				S (mm)	PART#	S (mm)	PART#
M3-3FL	30.5	20.0	9.5	3.5	030354	2.2	030355
M4-3FL	30.5	20.0	9.5	4.5	030454	2.8	030455
M5-3FL	33.0	21.0	9.5	6.0	030554	3.5	030555
M6-3FL	39.5	25.5	13.0	6.0	030654	4.5	030655
M8-3FL	41.0	27.0	14.5	8.0	030854	6.0	030855
M10-3FL	43.0	25.0	16.6	10.0	031054	7.0	031055
M12-3FL	48.0	29.0	20.6	12.0	031254	9.0	031255
M14-3FL	50.5	32.0	25.4	—	—	11.0	031455
M16-3FL	50.5	32.0	25.4	—	—	12.0	031655
M18-3FL	55.5	32.0	28.5	—	—	14.0	031855
M20-3FL	55.5	32.0	28.5	—	—	16.0	032055

## Burr-Bits for Japanese, JIS taps.

- Provided with conical spring and collar. These models are specifically designed to fit JIS standard taps.
- Shank diameter of these models differ from American ANSI standards and European ISO standards.



# JIS BURR-BIT®



### METRIC JIS STANDARD BURR-BIT FOR TWO & FOUR FLUTE TAPS

Tap Size	B (mm)	C (mm)	D (mm)	S (mm)	PART#
M3-2FL	23.0	16.5	9.5	4.0	030309
M4-2FL	25.0	16.5	9.5	5.0	030409
M5-2FL	26.0	16.5	9.5	5.5	030509
M6-2FL	28.5	18.0	12.7	6.0	030609
M8-2FL	33.0	19.0	8.0	6.2	030809
M10-2FL	36.0	21.5	16.6	7.0	031009
M12-2FL	43.5	24.0	20.6	8.5	031209
M14-2FL	42.0	25.5	25.4	10.5	031409
M16-2FL	47.5	28.5	25.4	12.5	031609
M18-2FL	54.0	34.0	28.5	14.0	031809

### METRIC JIS STANDARD BURR-BIT FOR THREE FLUTE TAPS

Tap Size	B (mm)	C (mm)	D (mm)	S (mm)	PART#
M3-3FL	23.0	16.5	9.5	4.0	030359
M4-3FL	25.0	16.5	9.5	5.0	030459
M5-3FL	26.0	16.5	9.5	5.5	030559
M6-3FL	28.5	18.0	12.7	6.0	030659
M8-3FL	33.0	19.0	8.0	6.2	030859
M10-3FL	36.0	21.5	16.6	7.0	031059
M12-3FL	43.5	24.0	20.6	8.5	031259
M14-3FL	42.0	25.5	25.4	10.5	031459
M16-3FL	47.5	28.5	25.4	12.5	031659
M18-3FL	54.0	34.0	28.5	14.0	031859