

ABSOR-BIT®

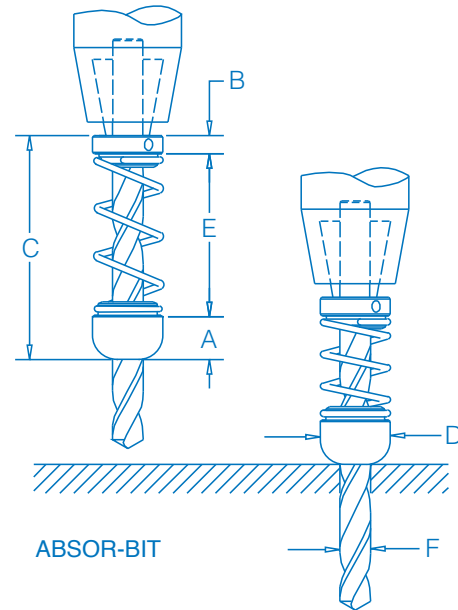
Absor-Bit Specifications

ABSOR-BIT PART NUMBERS Dimensional data (inches)

Dept Code	A (in)	B (in)	C (in)	D (in)	E (in)	F (in)
DSS1-	.188	.125	.93	.250	.625	.062-.089
DSS2-	.234	.157	1.14	.312	.750	.093-.120
DSS3-	.265	.181	1.32	.375	.875	.125-.182
DSS4-	.312	.187	1.50	.500	1.00	.187-.302
DSS5-	.343	.187	1.78	.562	1.25	.312-.339
DSS6-	.375	.200	2.075	.656	1.50	.334-.368
DSS7-	.437	.225	2.29	.812	1.62	.375-.500

NOTE: All part numbers are preceded by the department code followed by the four digit decimal diameter (eg. for 1/16 drill = DSS01-0625)

See www.VernonDevices.com for individual part numbers.



ABSOR-BIT