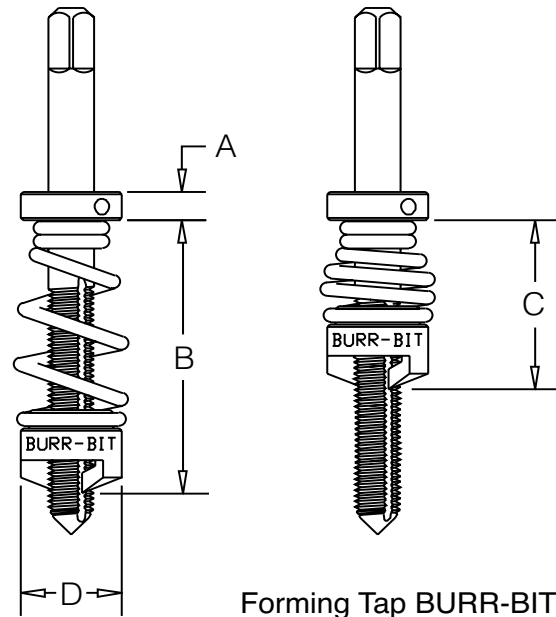


FormingTap BURR-BIT®

Burr-Bit Specifications for Forming Taps

BURR-BIT FOR FORMING TAPS FRACTIONAL, MACHINE SCREW AND METRIC

Part# UNC/UNF	Tap Size	Part # (Metric)	Tap Size	A (in)	B (in)	C (in)	D (in)
20410	#4	—	—	.17	.85	.56	.375
20510	#5	30310	M3	.17	.87	.56	.375
20610	#6	—	—	.17	.87	.56	.375
20710	#8	30320	M3.5	.17	.87	.62	.375
—	—	30410	M4	.17	.87	.62	.375
20810	#10	30510	M5	.17	1.06	.62	.375
20910	#12	—	—	.17	1.06	.62	.375
21110	1/4	30610	M6	.17	1.14	.75	.500
21210	5/16	30810	M8	.17	1.25	.85	.562
21310	3/8	31010	M10	.17	1.37	.87	.656
21410	7/16	—	—	.17	1.75	.87	.812
21510	1/2	31210	M12	.17	1.80	1.00	.812



Forming Tap BURR-BIT