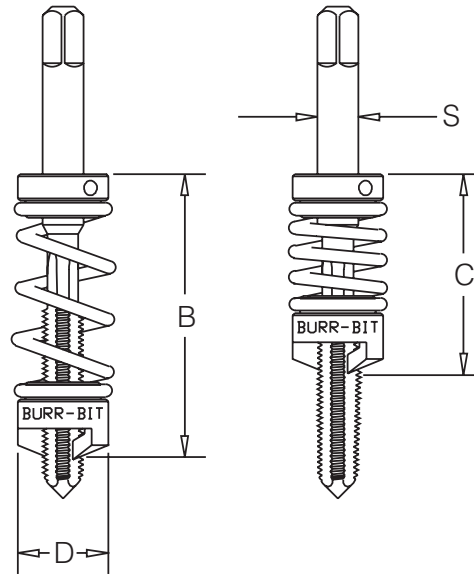


ISO BURR-BIT®

Burr-Bit Specifications ISO Taps (DIN371 & DIN376)

Straight Spring and Collar
ISO Configuration, DIN 371 and DIN 376



METRIC, ISO STANDARD (DIN 371 AND DIN 376) BURR-BIT FOR TWO & FOUR FLUTE TAPS

Tap Size	B (mm)	C (mm)	D (mm)	DIN 371		DIN 376	
				S (mm)	PART#	S (mm)	PART#
M3-2FL	30.5	20.0	9.5	3.5	030304	2.2	030305
M4-2FL	30.5	20.0	9.5	4.5	030404	2.8	030405
M5-2FL	33.0	21.0	9.5	6.0	030504	3.5	030505
M6-2FL	39.5	25.5	13.0	6.0	030604	4.5	030605
M8-2FL	41.0	27.0	14.5	8.0	030804	6.0	030805
M10-2FL	43.0	25.0	16.6	10.0	031004	7.0	031005
M12-2FL	48.0	29.0	20.6	12.0	031204	9.0	031205
M14-2FL	50.5	32.0	25.4	—	—	11.0	031405
M16-2FL	50.5	32.0	25.4	—	—	12.0	031605
M18-2FL	55.5	32.0	28.5	—	—	14.0	031805
M20-2FL	55.5	32.0	28.5	—	—	16.0	032005

METRIC, ISO STANDARD (DIN 371 AND DIN 376) BURR-BIT FOR THREE FLUTE TAPS

Tap Size	B (mm)	C (mm)	D (mm)	DIN 371		DIN 376	
				S (mm)	PART#	S (mm)	PART#
M3-3FL	30.5	20.0	9.5	3.5	030354	2.2	030355
M4-3FL	30.5	20.0	9.5	4.5	030454	2.8	030455
M5-3FL	33.0	21.0	9.5	6.0	030554	3.5	030555
M6-3FL	39.5	25.5	13.0	6.0	030654	4.5	030655
M8-3FL	41.0	27.0	14.5	8.0	030854	6.0	030855
M10-3FL	43.0	25.0	16.6	10.0	031054	7.0	031055
M12-3FL	48.0	29.0	20.6	12.0	031254	9.0	031255
M14-3FL	50.5	32.0	25.4	—	—	11.0	031455
M16-3FL	50.5	32.0	25.4	—	—	12.0	031655
M18-3FL	55.5	32.0	28.5	—	—	14.0	031855
M20-3FL	55.5	32.0	28.5	—	—	16.0	032055