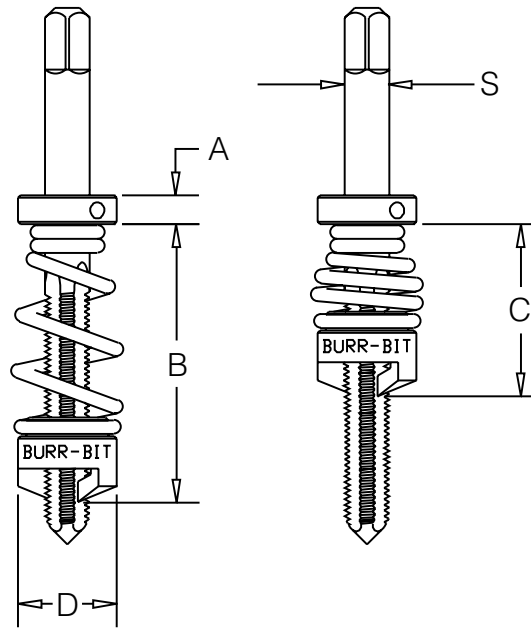


JIS BURR-BIT®

Burr-Bit Specifications for JIS Taps

Standard Conical and JIS
Spring and Collar configuration



METRIC JIS STANDARD BURR-BIT FOR TWO & FOUR FLUTE TAPS

Tap Size	B (mm)	C (mm)	D (mm)	S (mm)	PART#
M3-2FL	23.0	16.5	9.5	4.0	030309
M4-2FL	25.0	16.5	9.5	5.0	030409
M5-2FL	26.0	16.5	9.5	5.5	030509
M6-2FL	28.5	18.0	12.7	6.0	030609
M8-2FL	33.0	19.0	8.0	6.2	030809
M10-2FL	36.0	21.5	16.6	7.0	031009
M12-2FL	43.5	24.0	20.6	8.5	031209
M14-2FL	42.0	25.5	25.4	10.5	031409
M16-2FL	47.5	28.5	25.4	12.5	031609
M18-2FL	54.0	34.0	28.5	14.0	031809

METRIC JIS STANDARD BURR-BIT FOR THREE FLUTE TAPS

Tap Size	B (mm)	C (mm)	D (mm)	S (mm)	PART#
M3-3FL	23.0	16.5	9.5	4.0	030359
M4-3FL	25.0	16.5	9.5	5.0	030459
M5-3FL	26.0	16.5	9.5	5.5	030559
M6-3FL	28.5	18.0	12.7	6.0	030659
M8-3FL	33.0	19.0	8.0	6.2	030859
M10-3FL	36.0	21.5	16.6	7.0	031059
M12-3FL	43.5	24.0	20.6	8.5	031259
M14-3FL	42.0	25.5	25.4	10.5	031459
M16-3FL	47.5	28.5	25.4	12.5	031659
M18-3FL	54.0	34.0	28.5	14.0	031859