

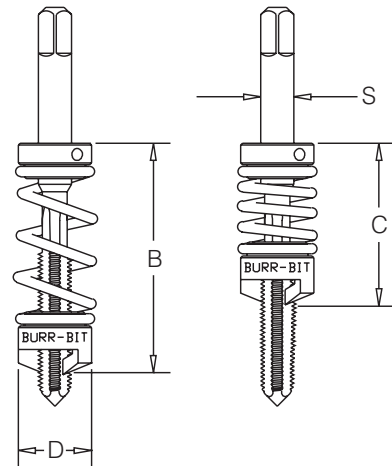


Optional ISO (DIN371 & DIN 376) Springs & Collars Only

**CONVERTS STANDARD BURR-BIT TO EUROPEAN
ISO STANDARDS: DIN 371 AND DIN 376** (See Fig. B)
Part Numbers and Dimensional data (metric)

Tap Size	Dimensions (mm)			DIN 371		DIN 376	
	B	C	D	S	PART#	S	PART#
M3	30.5	20.0	9.5	3.5	08030301	2.2	08030302
M4	30.5	20.0	9.5	4.5	08030401	2.8	08030402
M5	33.0	21.0	9.5	6.0	08030501	3.5	08030502
M6	39.5	25.5	13.0	6.0	08030601	4.5	08030602
M8	41.0	27.0	14.5	8.0	08030801	6.0	08030802
M10	43.0	25.0	16.6	10.0	08031001	7.0	08031002
M12	48.0	29.0	20.6	12.0	08031201	9.0	08031202
M14	50.5	32.0	25.4	—	—	11.0	08031402
M16	50.5	32.0	25.4	—	—	12.0	08031602
M18	55.5	32.0	28.5	—	—	14.0	08031802
M20	55.5	32.0	28.5	—	—	16.0	08032002

Straight Spring and Collar
ISO Configuration, DIN 371 and DIN 376



Optional JIS Springs & Collars Only

**CONVERTS STANDARD ANSI BURR-BIT
TO JIS STANDARD** (See Fig. A)

Tap Size	B (mm)	C (mm)	D (mm)	S (mm)	Part #
M3	23.0	16.5	9.5	4.0	08030304
M4	25.0	16.5	9.5	5.0	08030404
M5	26.0	16.5	9.5	5.5	08030504
M6	28.5	18.0	12.7	6.0	08030604
M8	33.0	19.0	8.0	6.2	08030804
M10	36.0	21.5	16.6	7.0	08031004
M12	43.5	24.0	20.6	8.5	08031204
M14	42.0	25.5	25.4	10.5	08031404
M16	47.5	28.5	25.4	12.5	08031604
M18	54.0	34.0	28.5	14.0	08031804

Standard Conical and JIS
Spring and Collar configuration

