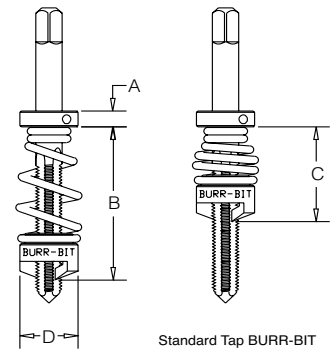


Optional Springs & Collars Only

CONICAL SPRINGS AND COLLARS

for American Standard Taps (See Fig. A)

Tap Size	B (in)	C (in)	D (in)	S (in)	Part Numbers			
					Extra Light	Std. Heavy	Extra Heavy	
#2-#4	—	0.85	.56	.375	.141	8020404	8020405	8020406
#5-#6	M3	0.87	.56	.375	.141	8020604	8020605	8020606
#8	M4	0.87	.62	.375	.168	8020704	8020705	8020706
#10	M5	1.06	.62	.375	.194	8020804	8020805	8020806
#12	—	1.06	.62	.375	.22	8020904	8020905	8020906
1/4	M6	1.14	.75	.5	.255	8021104	8021105	8021106
5/16	M8	1.25	.85	.562	.318	8021204	8021205	8021206
3/8	M10	1.37	.87	.656	.381	8021304	8021305	8021306
7/16	—	1.75	.87	.812	.323	8021404	8021405	8021406
1/2	M12	1.8	1.0	.812	.367	8021504	8021505	8021506
9/16	M14	1.89	1.12	1.0	.429	8021604	8021605	8021606
5/8	M16	1.89	1.12	1.0	.48	8021704	8021705	8021706
11/16	—	1.89	1.12	1.0	.542	8021804	8021805	8021806
3/4	—	1.93	1.18	1.12	.59	8021904	8021905	8021906

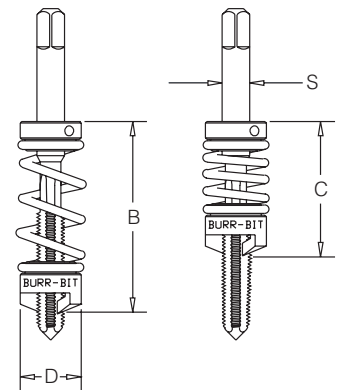


STRAIGHT SPRINGS AND COLLARS

for CNC / European style shank taps: "Reduced Shank Taps" with standard ANSI shank diameters. (See Fig. B)

Tap Size	B (in)	C (in)	D (in)	S (in)	Part Number	
#2-#4	—	1.2	.8	.375	.141	8020402
#5-#6	M3	1.2	.8	.375	.141	8020602
#8	M4	1.2	.8	.375	.168	8020702
#10	M5	1.3	.83	.375	.194	8020802
#12	—	1.3	.83	.375	.22	8020902
1/4	M6	1.6	1.0	.5	.255	8021102
5/16	M8	1.65	1.06	.562	.318	8021202
3/8	M10	1.7	1.0	.656	.381	8021302
7/16	—	1.9	1.14	.812	.323	8021402
1/2	M12	1.9	1.14	.812	.367	8021502
9/16	M14	2.0	1.26	1.0	.429	8021602
5/8	M16	2.0	1.26	1.0	.48	8021702
11/16	—	2.0	1.26	1.0	.542	8021802
—	M18	2.19	1.26	1.12	.542	8021802
3/4	—	2.19	1.26	1.12	.59	8021902
—	M20	2.19	1.26	1.12	.652	8021902

Straight Spring and Collar ISO Configuration, DIN 371 and DIN 376



DEEP HOLE SPRINGS AND COLLARS

(DHD) for American Standard Taps (See Fig. C)

Tap Size	B (in)	C (in)	E (in)	S (in)	Part Number	
#2-#4	—	—	—	.141	—	
#5-#6	M3	—	—	.141	—	
#8	M4	—	—	.168	—	
#10	M5	—	—	.194	—	
#12	—	—	—	.22	—	
1/4	M6	1.12	.75	1.25	.255	8021103
5/16	M8	1.13	.8	1.25	.318	8021203
3/8	M10	1.27	.8	1.25	.381	8021303
7/16	—	1.25	.8	1.25	.323	8021403
1/2	M12	1.25	.8	1.25	.367	8021503
9/16	M14	1.75	1.0	1.5	.429	8021603
5/8	M16	1.75	1.0	1.5	.48	8021703
11/16	—	1.75	1.0	1.5	.542	8021803
—	M18	1.75	1.0	1.5	.542	8021803
3/4	—	1.75	1.0	1.5	.59	8021903
—	M20	1.75	1.0	1.5	.652	8021903

Deep Hole Deburring Spring and Collar Configuration

