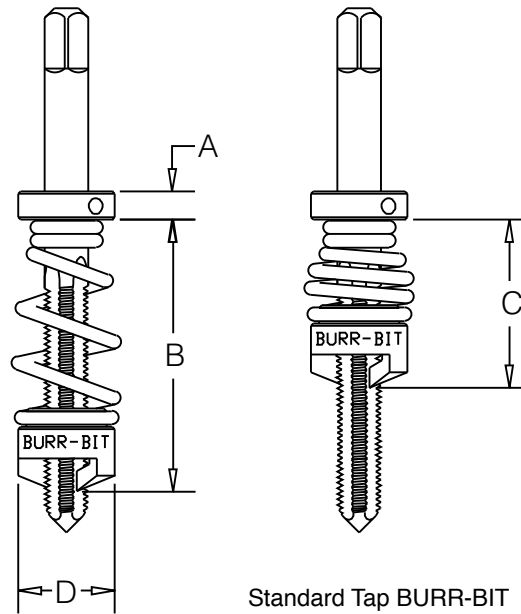


# BURR-BIT®

## Burr-Bit Specifications for Standard ANSI Taps



Standard Tap BURR-BIT

### FRACTIONAL AND MACHINE SCREW BURR-BIT FOR TWO AND FOUR FLUTE TAPS

Tap Size UNC/UNF	A (in)	B (in)	C (in)	D (in)	Part # 120°	Part # 90°
#2-2FL	.17	.85	.56	.375	020200	120200
#3-2FL	.17	.85	.56	.375	020300	120300
#4-2FL	.17	.85	.56	.375	020400	120400
#5-2FL	.17	.87	.56	.375	020500	120500
#6-2FL	.17	.87	.56	.375	020600	120600
#8-2FL	.17	.87	.62	.375	020700	120700
#10-2FL	.17	1.06	.62	.375	020800	120800
#12-2FL	.17	1.06	.62	.375	020900	120900
1/4-2FL	.17	1.14	.75	.500	021100	121100
5/16-2FL	.17	1.25	.85	.562	021200	121200
3/8-2FL	.17	1.37	.87	.656	021300	121300
7/16-2FL	.17	1.75	.87	.812	021400	121400
1/2-2FL	.17	1.80	1.0	.812	021500	121500
9/16-2FL	.22	1.89	1.12	1.0	021600	121600
5/8-2FL	.22	1.89	1.12	1.0	021700	121700
11/16-2FL	.22	1.89	1.12	1.0	021800	121800
3/4-2FL	.22	1.93	1.18	1.12	021900	121900
7/8-4FL	.22	2.19	1.30	1.50	022100	-
1-4FL	.22	2.37	1.35	1.50	022300	-

### FRACTIONAL AND MACHINE SCREW BURR-BIT FOR THREE FLUTE TAPS

Tap Size UNC/UNF	A (in)	B (in)	C (in)	D (in)	Part # 120°	Part # 90°
#2-3FL	.17	.85	.56	.375	020250	120250
#3-3FL	.17	.85	.56	.375	020350	120350
#4-3FL	.17	.85	.56	.375	020450	120450
#5-3FL	.17	.87	.56	.375	020550	120550
#6-3FL	.17	.87	.56	.375	020650	120650
#8-3FL	.17	.87	.62	.375	020750	120750
#10-3FL	.17	1.06	.62	.375	020850	120850
#12-3FL	.17	1.06	.62	.375	020950	120950
1/4-3FL	.17	1.14	.75	.500	021150	121150
5/16-3FL	.17	1.25	.85	.562	021250	121250
3/8-3FL	.17	1.37	.87	.656	021350	121350
7/16-3FL	.17	1.75	.87	.812	021450	121450
1/2-3FL	.17	1.80	1.0	.812	021550	121550
9/16-3FL	.22	1.89	1.12	1.0	021650	121650
5/8-3FL	.22	1.89	1.12	1.0	021750	121750
11/16-3FL	.22	1.89	1.12	1.0	021850	121850
3/4-3FL	.22	1.93	1.18	1.12	021950	121950

### METRIC BURR-BIT FOR TWO & FOUR FLUTE TAPS

Tap Size	A (mm)	B (mm)	C (mm)	D (mm)	Part # 120°	Part # 90°
M3-2FL	4.3	22.0	14.2	9.5	030300	130300
M4-2FL	4.3	22.0	15.7	9.5	030400	130400
M5-2FL	4.3	26.9	15.7	9.5	030500	130500
M6-2FL	4.3	26.9	19.0	12.7	030600	130600
M8-2FL	4.3	31.7	21.5	14.2	030800	130800
M10-2FL	4.3	34.7	22.0	16.6	031000	131000
M12-2FL	4.3	45.6	25.3	20.6	031200	131200
M14-2FL	4.3	47.9	28.5	25.3	031400	131400
M16-2FL	5.6	47.9	28.5	25.3	031600	131600
M18-2FL	5.6	48.9	29.9	28.5	031800	131800
M20-2FL	5.6	48.9	29.9	25.5	032000	132000
M22-4FL	5.6	58.3	33.0	38.0	032200	-
M24-4FL	5.6	59.6	34.2	38.0	032400	-

### METRIC BURR-BIT FOR THREE FLUTE TAPS

Tap Size	A (mm)	B (mm)	C (mm)	D (mm)	Part # 120°	Part # 90°
M3-3FL	4.3	22.0	14.2	9.5	030350	130350
M4-3FL	4.3	22.0	15.7	9.5	030450	130450
M5-3FL	4.3	26.9	15.7	9.5	030550	130550
M6-3FL	4.3	26.9	19.0	12.7	030650	130650
M8-3FL	4.3	31.7	21.5	14.2	030850	130850
M10-3FL	4.3	34.7	22.0	16.6	031050	131050
M12-3FL	4.3	45.6	25.3	20.6	031250	131250
M14-3FL	4.3	47.9	28.5	25.3	031450	131450
M16-3FL	5.6	47.9	28.5	25.3	031650	131650
M18-3FL	5.6	48.9	29.9	28.5	031850	131850