

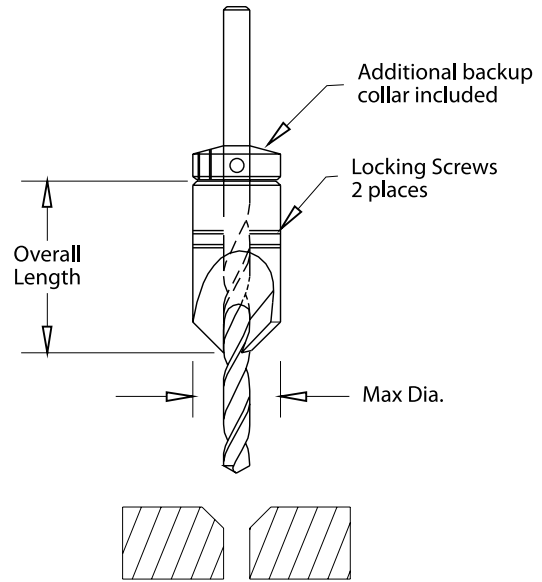
Series 82° CHAM-BIT®

82° Cham-Bit Specifications

SERIES 82° CHAM-BIT FRACTIONAL, NUMBER AND LETTER

Dimensional Data (inches)

Part #	Drill Size	Decimal Equivalent	Max Dia	Overall Length
CH82-01250	1/8"	.1250	3/8	7/8
CH82-01285	#30	.1285	3/8	7/8
CH82-01360	#29	.1360	3/8	7/8
CH82-01406	9/64"	.1406	3/8	7/8
CH82-01440	#27	.1440	3/8	7/8
CH82-01495	#25	.1495	3/8	7/8
CH82-01562	5/32"	.1562	3/8	7/8
CH82-01590	#21	.1590	3/8	7/8
CH82-01695	#18	.1695	1/2	1
CH82-01719	11/64"	.1719	1/2	1
CH82-01730	#17	.1730	1/2	1
CH82-01770	#16	.1770	1/2	1
CH82-01800	#15	.1800	1/2	1
CH82-01875	3/16"	.1875	1/2	1
CH82-01910	#11	.1910	1/2	1
CH82-01960	#9	.1960	1/2	1
CH82-02010	#7	.2010	1/2	1
CH82-02030	13/64"	.2030	1/2	1
CH82-02130	#3	.2130	5/8	1 1/8
CH82-02188	7/32"	.2188	5/8	1 1/8
CH82-02210	#2	.2210	5/8	1 1/8
CH82-02280	#1	.2280	5/8	1 1/8
CH82-02344	15/64"	.2344	5/8	1 1/8
CH82-02500	1/4"	.2500	5/8	1 1/8
CH82-02570	F	.2570	5/8	1 1/8
CH82-02656	17/64"	.2656	5/8	1 1/8



SERIES 82° CHAM-BIT FRACTIONAL, NUMBER AND LETTER

Dimensional Data (inches)

Part #	Drill Size	Decimal Equivalent	Max Dia	Overall Length
CH82-02969	19/64"	.2969	5/8	1 1/8
CH82-02720	I	.2720	5/8	1 1/8
CH82-02810	9/32"	.2810	5/8	1 1/8
CH82-03125	5/16"	.3125	13/16	1 3/8
CH82-03230	P	.3230	13/16	1 3/8
CH82-03281	21/64"	.3281	13/16	1 3/8
CH82-03320	Q	.3320	13/16	1 3/8
CH82-03390	R	.3390	13/16	1 3/8
CH82-03438	11/32"	.3438	13/16	1 3/8
CH82-03594	23/64"	.3594	13/16	1 3/8
CH82-03680	U	.3680	13/16	1 3/8
CH82-03750	3/8"	.3750	13/16	1 3/8
CH82-03860	W	.3860	13/16	1 3/8
CH82-03900	25/64"	.3900	13/16	1 3/8
CH82-03970	X	.3970	13/16	1 3/8
CH82-04062	13/32"	.4062	13/16	1 3/8
CH82-04210	27/64"	.4210	1	1 1/2
CH82-04375	7/16"	.4375	1	1 1/2
CH82-04530	29/64"	.4530	1	1 1/2
CH82-04680	15/32"	.4680	1	1 1/2
CH82-04844	31/64"	.4844	1 1/8	1 5/8
CH82-05000	1/2"	.5000	1 1/8	1 5/8
CH82-05156	33/64"	.5156	1 1/8	1 5/8
CH82-05312	17/32"	.5312	1 1/8	1 5/8