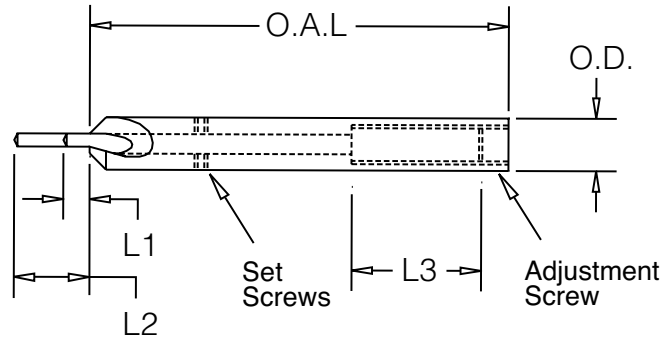


Small Drill 82° CHAM-BIT®

Cham-Bit Specifications for Small Fractional and Number Size Drills



FRACTIONAL 82° SMALL DRILL CHAM-BIT Part Numbers and Dimensional Data

Part #	Item Description	OAL (in)	O.D. (in)	L1 Min (in)	L2 Max (in)	L3 Adj (in)	DRILL OAL (in)
MCC-MCC820625	1/16" 82° SM CHAM-BIT	1-3/4	1/4	1/4	7/8	5/8	1-7/8
MCC-MCC820781	5/64" 82° SM CHAM-BIT	1-7/8	1/4	1/4	7/8	5/8	2
MCC-MCC820938	3/32" 82° SM CHAM-BIT	2-1/8	1/4	1/4	7/8	5/8	2-1/4
MCC-MCC821094	7/64" 82° SM CHAM-BIT	2-1/2	1/4	1/4	7/8	5/8	2-5/8
MCC-MCC821250	1/8" 82° SM CHAM-BIT	2-5/8	1/4	1/4	7/8	5/8	2-3/4

NUMBER, 82° SMALL DRILL CHAM-BIT Part Numbers and Dimensional Data

Part #	Item Description	OAL (in)	O.D. (in)	L1 Min (in)	L2 Max (in)	L3 Adj (in)	Drill OAL (in)
MCC-MCC820635	#52 82° SM CHAM-BIT	1-3/4	1/4	1/4	7/8	5/8	1-7/8
MCC-MCC820670	#51 82° SM CHAM-BIT	1-7/8	1/4	1/4	7/8	5/8	2
MCC-MCC820700	#50 82° SM CHAM-BIT	1-7/8	1/4	1/4	7/8	5/8	2
MCC-MCC820730	#49 82° SM CHAM-BIT	1-7/8	1/4	1/4	7/8	5/8	2
MCC-MCC820760	#48 82° SM CHAM-BIT	1-7/8	1/4	1/4	7/8	5/8	2
MCC-MCC820785	#47 82° SM CHAM-BIT	1-7/8	1/4	1/4	7/8	5/8	2
MCC-MCC820810	#46 82° SM CHAM-BIT	2	1/4	1/4	7/8	5/8	2-1/8
MCC-MCC820820	#45 82° SM CHAM-BIT	2	1/4	1/4	7/8	5/8	2-1/8
MCC-MCC820860	#44 82° SM CHAM-BIT	2	1/4	1/4	7/8	5/8	2-1/8
MCC-MCC820890	#43 82° SM CHAM-BIT	2-1/8	1/4	1/4	7/8	5/8	2-1/4
MCC-MCC820935	#42 82° SM CHAM-BIT	2-1/8	1/4	1/4	7/8	5/8	2-1/4
MCC-MCC820960	#41 82° SM CHAM-BIT	2-1/4	1/4	1/4	7/8	5/8	2-3/8
MCC-MCC820980	#40 82° SM CHAM-BIT	2-1/4	1/4	1/4	7/8	5/8	2-3/8
MCC-MCC820995	#39 82° SM CHAM-BIT	2-1/4	1/4	1/4	7/8	5/8	2-3/8
MCC-MCC821015	#38 82° SM CHAM-BIT	2-3/8	1/4	1/4	7/8	5/8	2-1/2
MCC-MCC821040	#37 82° SM CHAM-BIT	2-3/8	1/4	1/4	7/8	5/8	2-1/2
MCC-MCC821065	#36 82° SM CHAM-BIT	2-3/8	1/4	1/4	7/8	5/8	2-1/2
MCC-MCC821100	#35 82° SM CHAM-BIT	2-1/2	1/4	1/4	7/8	5/8	2-5/8
MCC-MCC821110	#34 82° SM CHAM-BIT	2-1/2	1/4	1/4	7/8	5/8	2-5/8
MCC-MCC821130	#33 82° SM CHAM-BIT	2-1/2	1/4	1/4	7/8	5/8	2-5/8
MCC-MCC821160	#32 82° SM CHAM-BIT	2-5/8	1/4	1/4	7/8	5/8	2-3/4
MCC-MCC821200	#31 82° SM CHAM-BIT	2-5/8	1/4	1/4	7/8	5/8	2-3/4
MCC-MCC821285	#30 82° SM CHAM-BIT	2-5/8	1/4	1/4	7/8	5/8	2-3/4