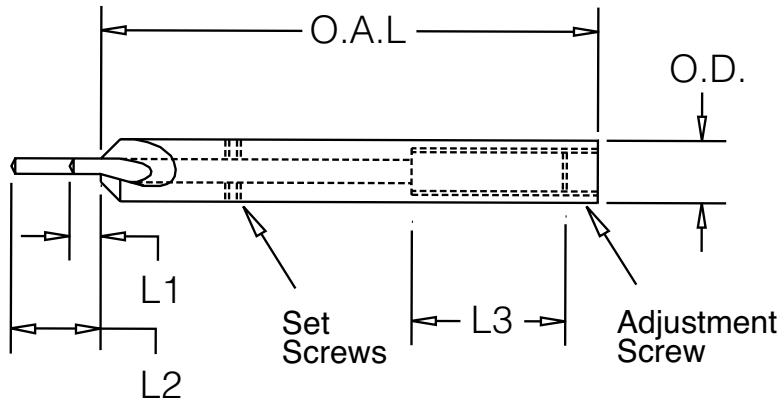


Small Metric Drill 90° CHAM-BIT®

Cham-Bit Specifications for Small Metric Drills



METRIC 90° SMALL DRILL CHAM-BIT Part Numbers and Dimensional Data

Part #	Item Description	OAL (mm)	O.D. (in)	L1 Min (mm)	L2 Max (mm)	L3 Adj (mm)	DRILL OAL (mm)
MCC-MCM900150	1.50 90° SM CHAM-BIT	44	1/4	7	23	16	48
MCC-MCM900160	1.60 90° SM CHAM-BIT	44	1/4	7	23	16	48
MCC-MCM900170	1.70 90° SM CHAM-BIT	47.5	1/4	6.5	22.5	16	51
MCC-MCM900180	1.80 90° SM CHAM-BIT	47.5	1/4	6.5	22.5	16	51
MCC-MCM900190	1.90 90° SM CHAM-BIT	47.5	1/4	6.5	22.5	16	51
MCC-MCM900200	2.00 90° SM CHAM-BIT	47.5	1/4	6.5	22.5	16	51
MCC-MCM900210	2.10 90° SM CHAM-BIT	51	1/4	6	22	16	54
MCC-MCM900220	2.20 90° SM CHAM-BIT	54	1/4	6	22	16	57
MCC-MCM900230	2.30 90° SM CHAM-BIT	54	1/4	6	22	16	57
MCC-MCM900240	2.40 90° SM CHAM-BIT	57	1/4	6	22	16	60
MCC-MCM900250	2.50 90° SM CHAM-BIT	57	1/4	6	22	16	60
MCC-MCM900260	2.60 90° SM CHAM-BIT	60	1/4	7	23	16	64
MCC-MCM900270	2.70 90° SM CHAM-BIT	60	1/4	7	23	16	64
MCC-MCM900280	2.80 90° SM CHAM-BIT	63	1/4	7	23	16	67
MCC-MCM900290	2.90 90° SM CHAM-BIT	63	1/4	7	23	16	67
MCC-MCM900300	3.00 90° SM CHAM-BIT	66.5	1/4	6.5	22.5	16	70
MCC-MCM900310	3.10 90° SM CHAM-BIT	66.5	1/4	6.5	22.5	16	70
MCC-MCM900320	3.20 90° SM CHAM-BIT	66.5	1/4	6.5	22.5	16	70