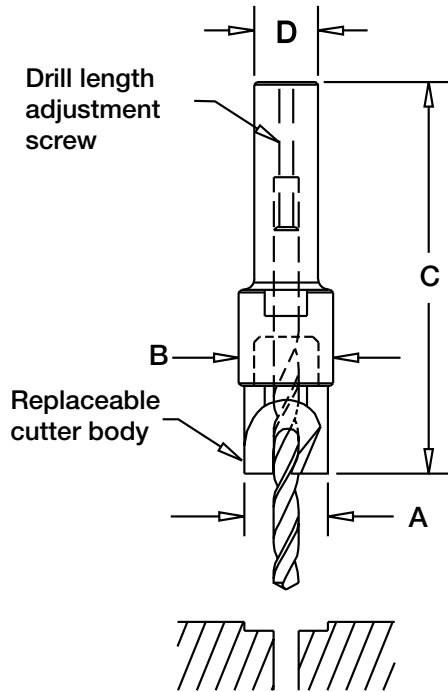


SPOT-BIT[®]

Specifications



SPOT-BIT FRACTIONAL, NUMBER, LETTER AND METRIC SIZES

Part #	Drill Size Range	Part# (Metric)	Drill Size Range	A (in)	B (in)	C (in)	D (in)
CSPH-	.1250 – .1660	CSPM-	M3 – M4	1/2	5/8	3-3/16	1/2
CSPH-	.1690 – .2050	CSPM-	M4.5 – M5	1/2	5/8	3-9/16	1/2
CSPH-	.2090 – .2812	CSPM-	M5.5 – M7	13/16	7/8	4-1/8	3/4
CSPH-	.2900 – .3480	CSPM-	M7.5 – M9	13/16	7/8	4-1/2	3/4
CSPH-	.3580 – .4530	CSPM-	M9.5 – M11.5	1- 1/8	1-1/4	5-1/8	7/8
CSPH-	.4680 – .5460	CSPM-	M12 – M14	1- 1/8	1-1/4	6-1/8	7/8

NOTE: All complete tool part numbers are preceded by CSPH-____ or CSPM-____, followed by the drill diameter (eg. CSPH-2500 = 1/4" Spot-Bit). For replacement cutter head only, omit the prefix 'C'.

(See www.VernonDevices.com for complete details.)