

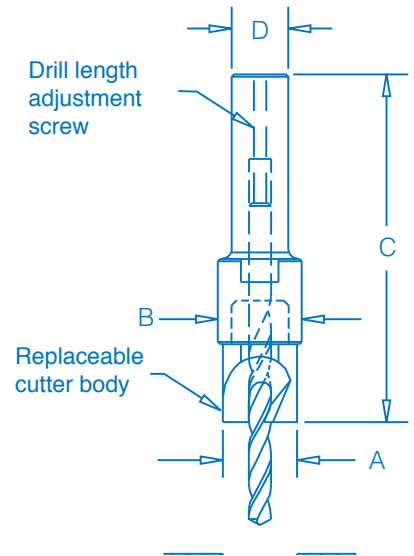
# STOP-BIT®

## Stop-Bit Specifications

### STOP-BIT PART NUMBERS Dimensional Data (inches)

Dept Code	Drill Size Range	Drill Size Range Decimal	Stop-Bit O.D. (in)	Stop-Bit O.A.L. (in)
PSH01-	#32-#15	.116-.180	5/16	1/2
PSH02-	#18-#1	.1695-.228	3/8	1/2
PSH03-	#2-N	.221-.302	1/2	3/4
PSH04-	5/16-3/8	.312-.375	9/16	3/4
PSH05-	5/16-7/16	.312-.437	5/8	3/4
PSH06-	29/64-31/64	.453-.484	3/4	3/4
PSH07-	29/64-39/64	.453-.609	13/16	3/4
PSH08-	33/64-39/64	.5156-.609	7/8	1
PSH09-	5/8-47/64	.625-.7344	1	1

**NOTE:** All part numbers are preceded by the department code followed by the four digit decimal diameter (eg. for 1/8 drill = PSH01-1250).



# BIT-SPACERS®

### STOP-BIT SPACER SET PART NUMBERS

Dimensional data (inches)

Dept Code	Drill Size Range	Drill Size Range Decimal	Stop-Bit O.D.	Stop-Bit Spacer Sets O.A.L.
PSS01-	#32-#15	.116-.180	5/16	3/4, 1/2, 1/4, 1/8
PSS02-	#18-#1	.1695-.228	3/8	3/4, 1/2, 1/4, 1/8
PSS03-	#2-N	.221-.302	1/2	1", 3/4, 1/2, 1/4, 1/8
PSS04-	5/16-3/8	.312-.375	9/16	1", 3/4, 1/2, 1/4, 1/8
PSS05-	5/16-7/16	.312-.437	5/8	1", 3/4, 1/2, 1/4, 1/8
PSS06-	29/64-31/64	.453-.484	3/4	1", 3/4, 1/2, 1/4, 1/8
PSS07-	29/64-39/64	.453-.609	13/16	1", 3/4, 1/2, 1/4, 1/8
PSS08-	33/64-39/64	.5156-.609	7/8	1", 3/4, 1/2, 1/4, 1/8
PSS09-	5/8-37/64	.625-.7344	1	1", 3/4, 1/2, 1/4, 1/8

**NOTE:** All part numbers are preceded by the department code followed by the four digit decimal diameter (eg. for 1/8 drill = PSS01-1250)